

Light Poles

DIMENSIONS

LENGTH : Up to 24 mtr (Segment of 6mts.)
THICKNESS : From 1 mm up to 6mm
EXTERNAL DIAMETER : (Min Top Dia) - 60mm (Max Bottom Dia) - 1000 mm
MATERIAL : MS IS 2062/BSEN 10025/FE 510C etc.,

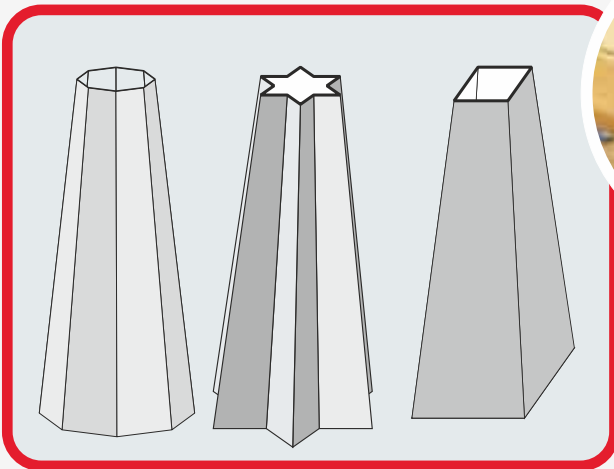


Specifications

Light poles are used to securely illuminate private, residential areas, commercial and industrial locations. The Highway lighting pole range is design with an outreach arm, in either single or double arrangement, as per customer specifications.

Range of shapes

Hexagonal, Octagonal, in general we produce single joint for the bigger diameter.



Area of applications

Street lighting
 Airports
 Railways
 Decorative lighting
 Sports lighting
 Shopping centers and
 Hotels

Advantages of Octagonal poles

Ease of install
 Galvanized for longer life
 Maintenance free
 Sleek and beautiful design

**OTHER DIMENSION CAN BE SUPPLIED
 AS PER CLIENTS REQUIREMENTS**

STANDARD SPECIFICATIONS

LENGTH (L) mtr : 3, 4, 5, 6, 7, 8, 9, 10, 11, 12
TOP DIA (d) mm : 60, 65, 70, 75, 100, 150
BOTTOM DIA (D) mm : 120, 125, 130, 150, 155, 175, 200, 240, 250
 and above on request.
THICKNESS (t) mm : 1mm to 6mm

