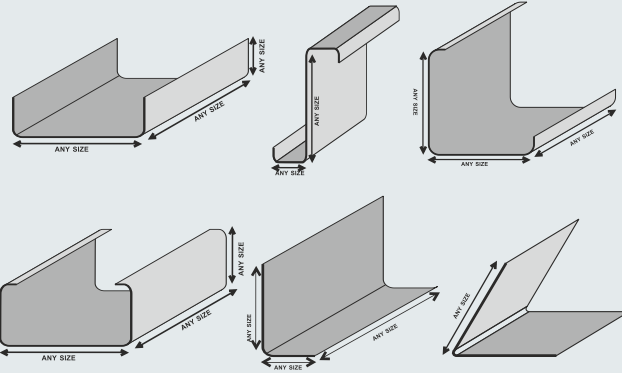


METAL SECTIONS

shapes unlimited
NEVER BEFORE ...!!!

Our folding technology thickness ranging from 0.5mm to 12 mm and length up to 7 meters. With various kinds of surface finishes like painted, pre coated, Polished, stainless steel sheets, can be folded without scratch.



sections

Available in CR steel, stainless steel and aluminum

THICKNESS : 0.5mm to 12mm

SIZES : As per customer requirement

LENGTH : Up to 6meters

