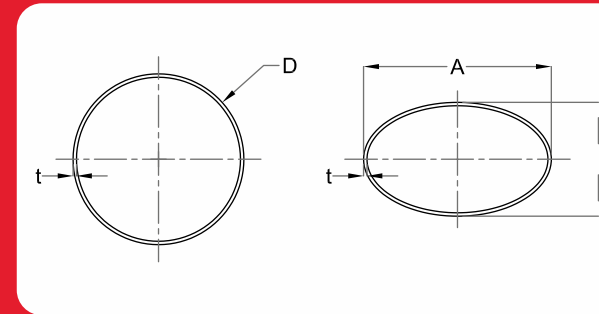


Oval Tube

Oval Tube steel is extremely versatile and can be used in a number of locations. Oval tubing offers a number of advantages when compared to circular tubes. The shape is Stronger and is likely to become misshapen. It is also more compact so the tube will take up less space. This makes it a good option for setting where there is limited room to work with. The most benefit is that the shape is also more aerodynamic.

We form a wide variety of circular tube into oval shape. Ranging diameter from 50mm to 400mm and any wall thickness.

Material Used:- Ms Pipes , SS Pipes and Aluminium



REFERENCE SIZE CHART

TUBE DIA. In MM	OVAL TUBE SIZE in MM	
D	A	B
400	484	309
350	434	259
300	384	209
250	334	159
200	284	109
150	234	59
100	184	40

Applications:

- Shear strength increases enormously when circular tube is converted into oval shape.
- Architecturally and Aesthetically provides visual effect.
- Pillers , Columns and Posts
- light poles
- Street signs
- Railings

